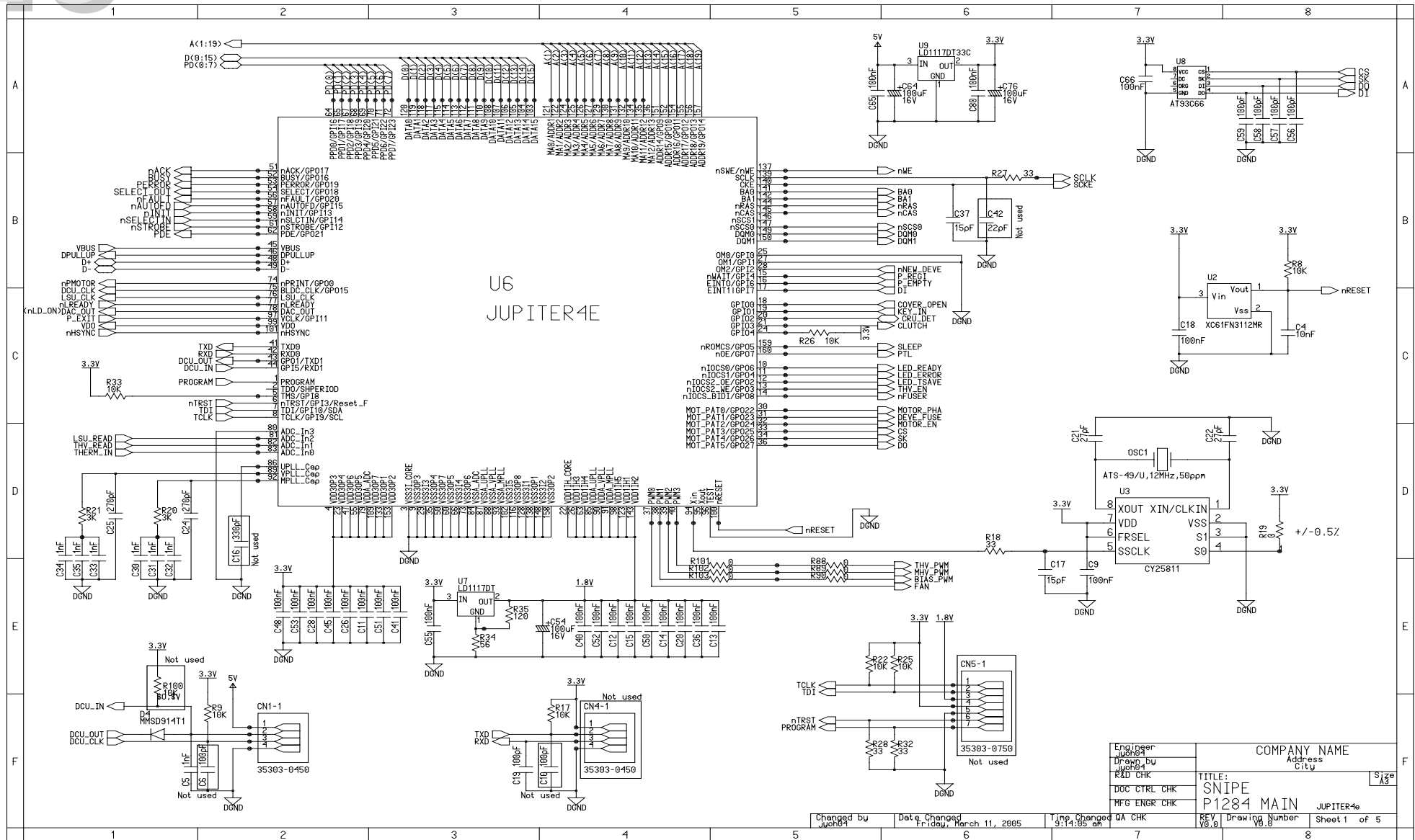
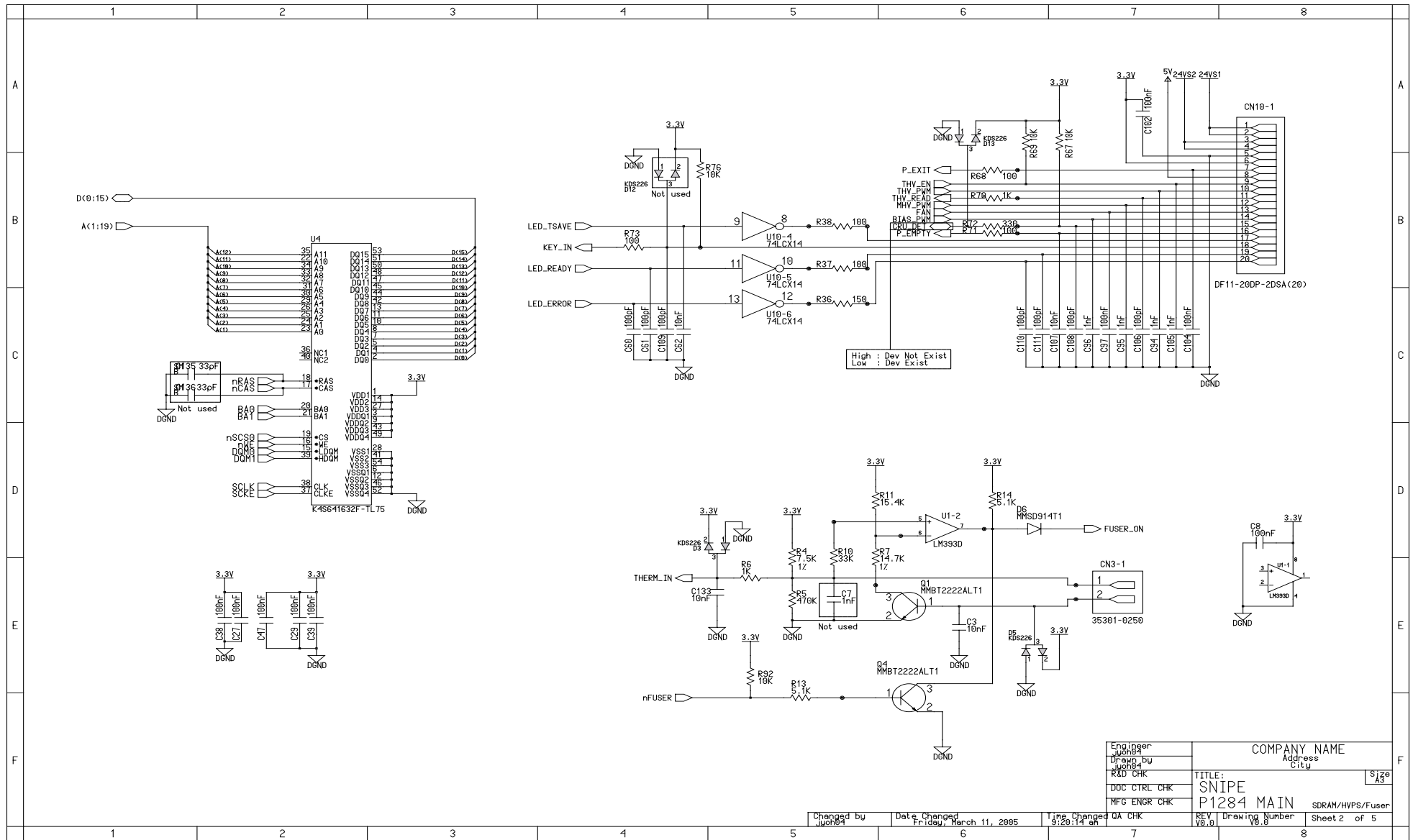


# 10. Schematic Diagrams

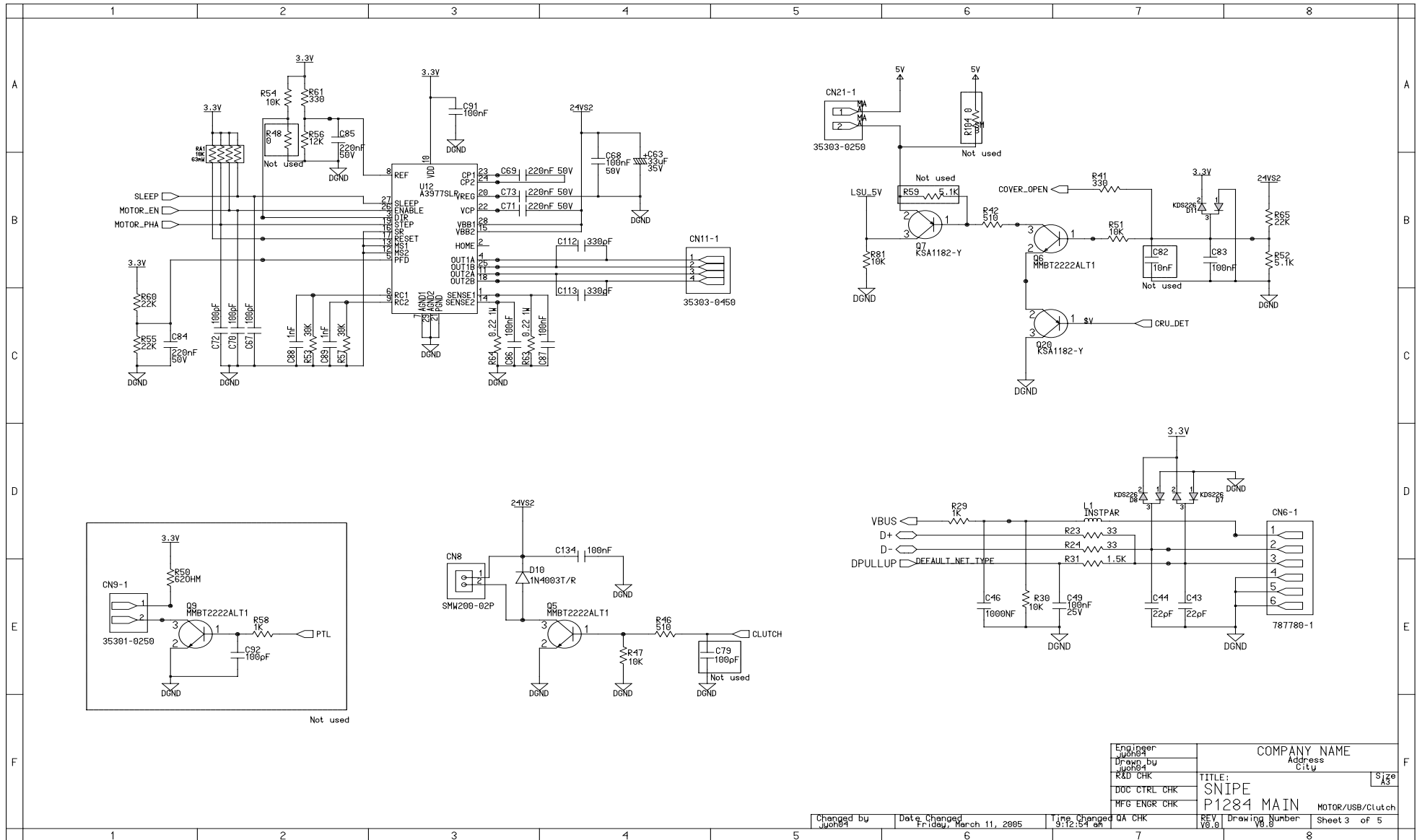
## 10.1 Main Board(1/5)



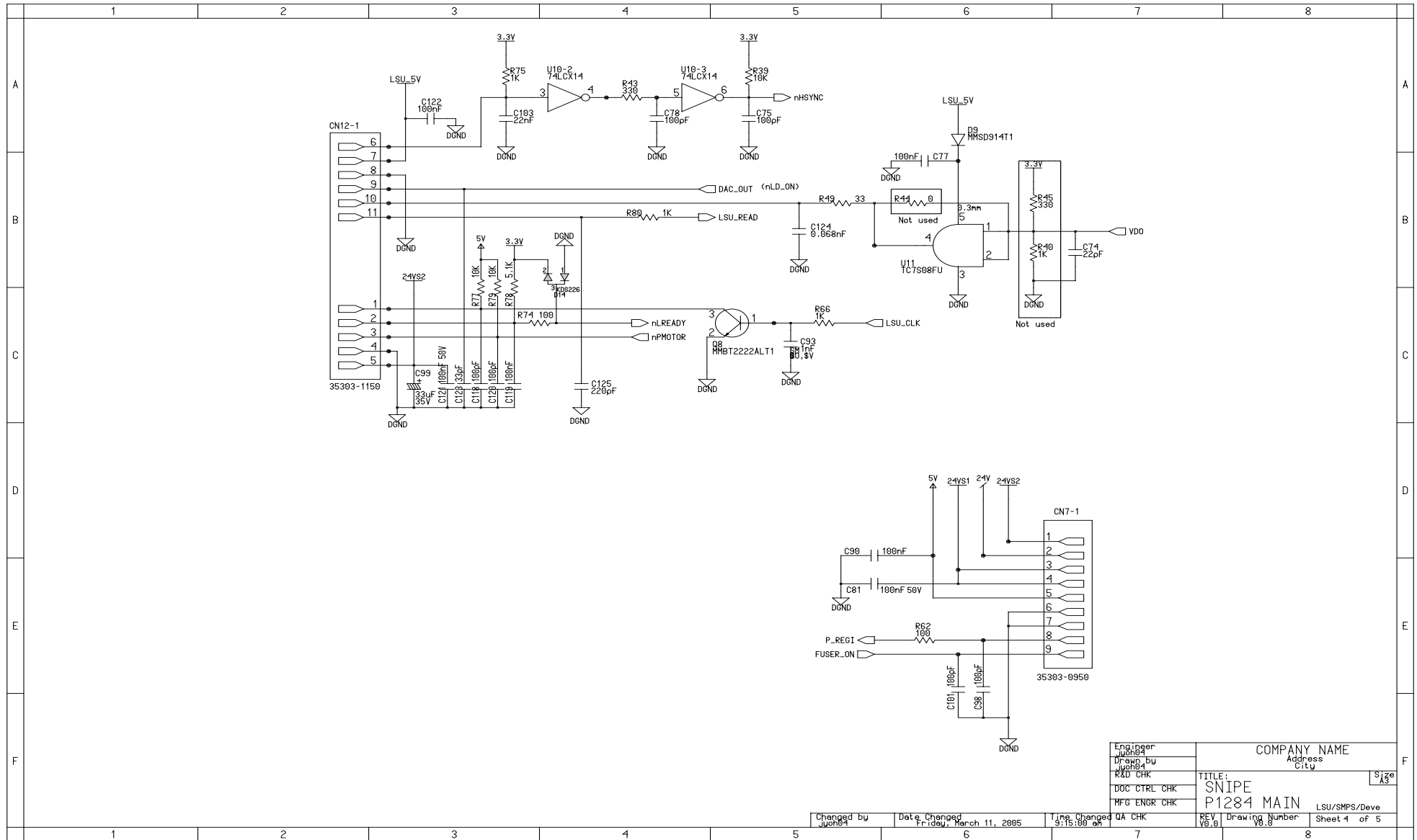
Main Board(2/5)



Main Board(3/5)

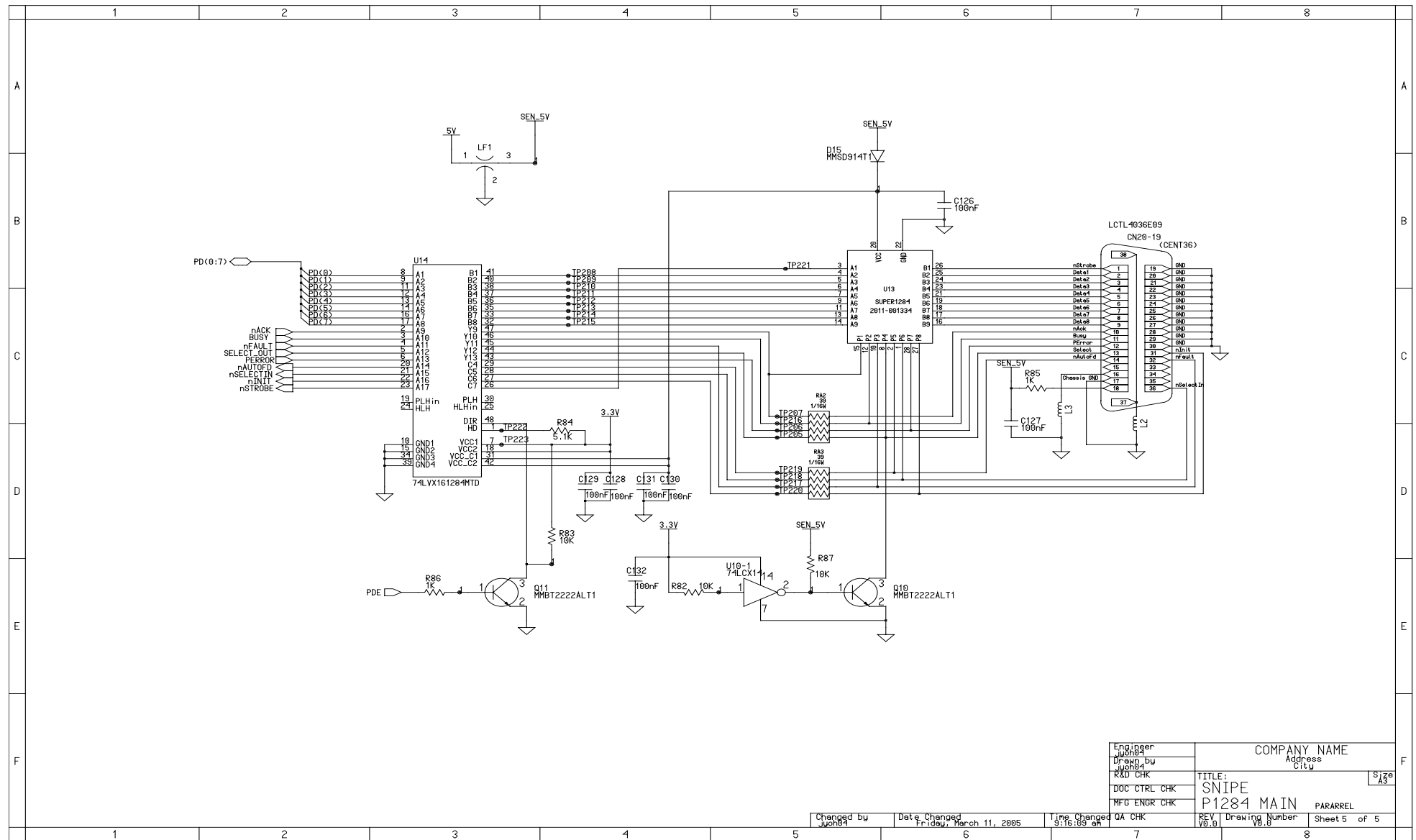


Main Board(4/5)



Engineer	COMPANY NAME		
Drawn by	Address		
R&D CHK	City		Size
DOC CTRL CHK	TITLE: SNIPE		
MFG ENGR CHK	P1284 MAIN		LSU/SMPS/Deve
REV: V0.0	Drawing Number	Sheet 4 of 5	

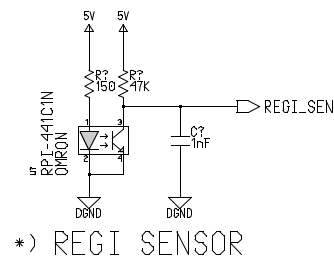
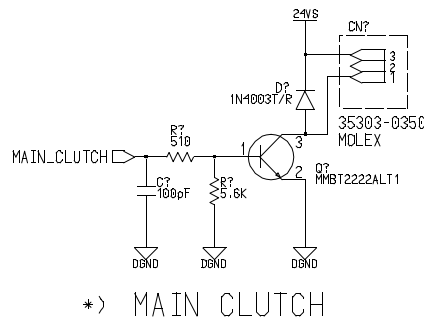
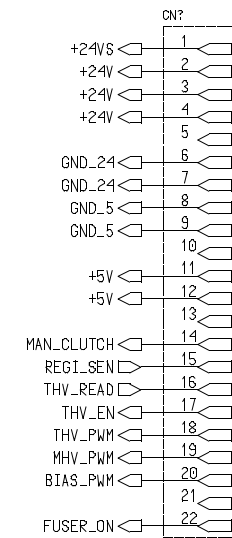
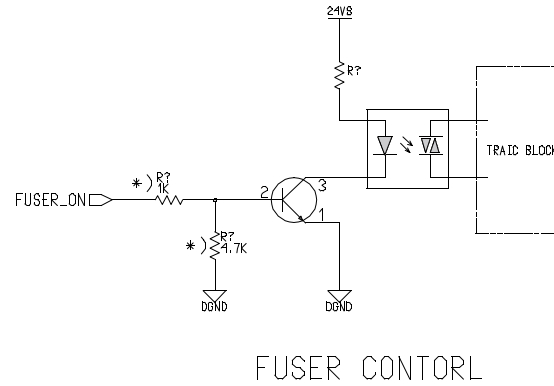
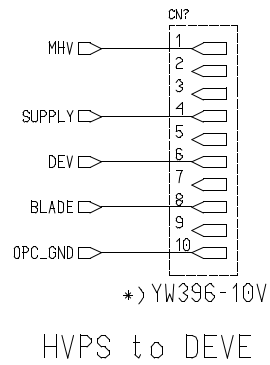
Main Board(5/5)



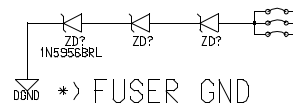
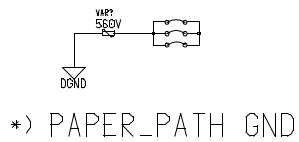
Engineer	COMPANY NAME		
Drawn By	Address		
RA0 CHK	City		Size
DOC CTRL CHK	TITLE: SNIPE		
MFG ENGR CHK	P1284 MAIN		PARAREL

Changed by	Date Changed	Time Changed	QA CHK	REV	Drawing Number	Sheet 5 of 5
Juho94	Friday, March 11, 2005	9:16:09 am		V8.0		

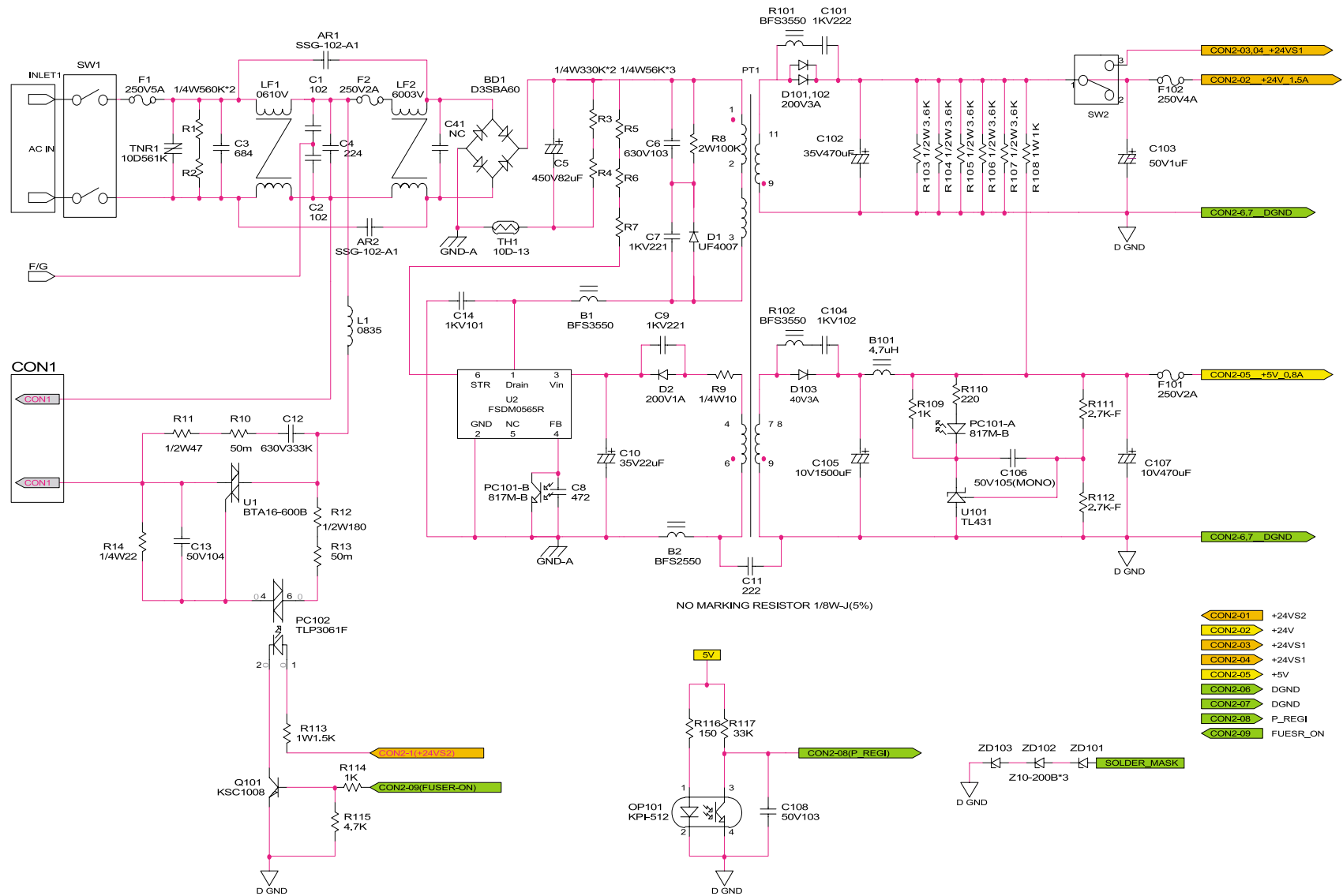
## 10-2 Connector Circuit Diagram



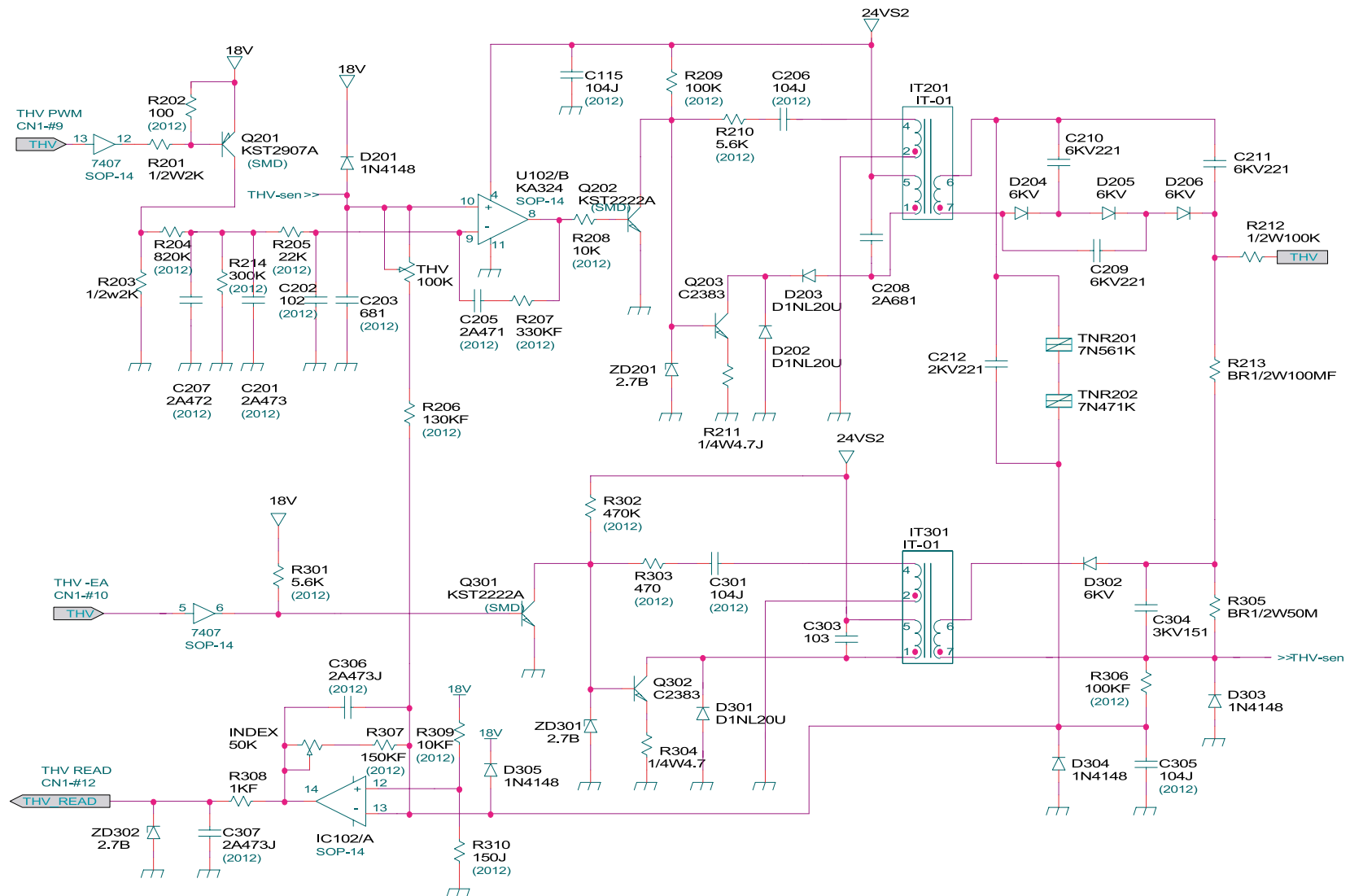
00-6232-022-807-800  
 \* ) SMPS/HVPS TO MAIN



### 10-3 SMPS Circuit Diagram

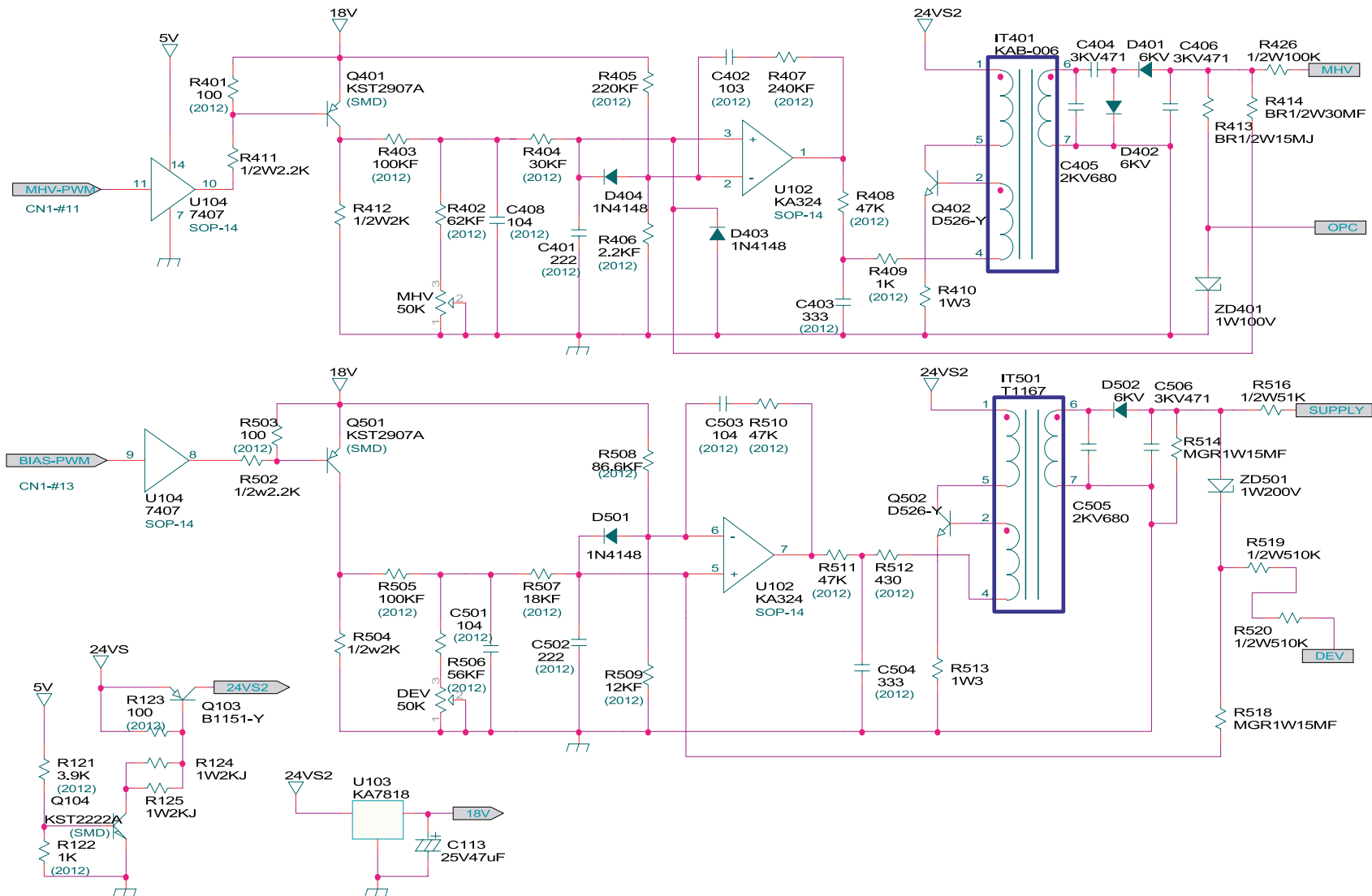


## 10-4 HVPS Circuit Diagram(1/3)





## HVPS Circuit Diagram(2/3)



### 10-4 HVPS Circuit Diagram(3/3)

